

NOTICE!!

These documents have been scanned!

Do not place un-scanned documents beneath this notice!

Do not remove this notice from this file!

GPO Jacket No. 560-102
Print Order 61540
Rise Business Services, LLC
Job=AZ15 5/10/2019



Box Number= AZ15032



Claim Begin-End: AMC429423-AMC429428

1 Initial Receipt



AZ15032-23

AMC428906-AMC429539

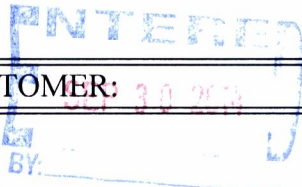
**NO WARRANTY IS MADE BY BLM
FOR USE OF THE DATA FOR
PURPOSES NOT INTENDED BY BLM**

United States Department of the Interior
Bureau of Land Management
 LANDS/RECREATION & PLANNING
 ONE N CENTRAL AVE
 PHOENIX, AZ 85004 -2203
 Phone: 602-417-9200

Receipt

No: 3134187

Transaction #: 3226212	
Date of Transaction: 09/22/2014	
CUSTOMER:	
HAVASU GOLD SEEKERS INC PO BOX 3281 LAKE HAVASU CITY, AZ 86405-3281 US	



LINE #	QTY	DESCRIPTION	REMARKS	UNIT PRICE	TOTAL
1	6.00	LOCATABLE MINERALS / MINING CLAIMS-NEW, UNADJUD, ONE OR MORE AUTH NOS / NEW MINING CLAIMS LOCATION FEE CASES: AMC429423/\$37.00, AMC429424/\$37.00, AMC429425/\$37.00, AMC429426/\$37.00, AMC429427/\$37.00, AMC429428/\$37.00		- n/a -	222.00
2	6.00	LOCATABLE MINERALS / MINING CLAIMS-NEW, UNADJUD, ONE OR MORE AUTH NOS / NEW MINING CLAIM PROCESSING FEE CASES: AMC429423/\$20.00, AMC429424/\$20.00, AMC429425/\$20.00, AMC429426/\$20.00, AMC429427/\$20.00, AMC429428/\$20.00		- n/a -	120.00
3	6.00	LOCATABLE MINERALS / MINING CLAIMS-NEW, UNADJUD, ONE OR MORE AUTH NOS / NEW MINING CLAIMS MAINTENANCE FEE CASES: AMC429423/\$155.00, AMC429424/\$155.00, AMC429425/\$155.00, AMC429426/\$155.00, AMC429427/\$155.00, AMC429428/\$155.00		- n/a -	930.00
TOTAL:					\$1,272.00

PAYMENT INFORMATION				
1	AMOUNT:	1272.00	POSTMARKED:	09/18/2014
	TYPE:	CHECK	RECEIVED:	09/19/2014
	CHECK NO:	3153		
	NAME:	HAVASU GOLD SEEKERS INC PO BOX 3281 LAKE HAVASU CITY AZ 86405-3281 US		

REMARKS

This receipt was generated by the automated BLM Collections and Billing System and is a paper representation of a portion of the official electronic record contained therein.

NOTICE!!

These documents have been scanned!

Do not place un-scanned documents beneath this notice!

Do not remove this notice from this file!

GPO Jacket No. 560-102
Print Order 61540
Rise Business Services, LLC
Job=AZ15 5/10/2019



Box Number= AZ15032



Claim Begin-End: AMC429423-AMC429428

2 Correspondence



AZ15032-23

AMC428906-AMC429539

**NO
DOCUMENTS
FOUND**

NO DOCUMENTS FOUND
NO DOCUMENTS FOUND

NOTICE!!

These documents have been scanned!

Do not place un-scanned documents beneath this notice!

Do not remove this notice from this file!

GPO Jacket No. 560-102
Print Order 61540
Rise Business Services, LLC
Job=AZ15 5/10/2019



Box Number= AZ15032



Claim Begin-End: AMC429423-AMC429428

3 Transfers



AZ15032-23

AMC428906-AMC429539

**NO
DOCUMENTS
FOUND**

NO DOCUMENTS FOUND
NO DOCUMENTS FOUND

NOTICE!!

These documents have been scanned!

Do not place un-scanned documents beneath this notice!

Do not remove this notice from this file!

GPO Jacket No. 560-102
Print Order 61540
Rise Business Services, LLC
Job=AZ15 5/10/2019



Box Number= AZ15032



Claim Begin-End: AMC429423-AMC429428

4 Annual Filings



AZ15032-23

AMC428906-AMC429539

UNITED STATES
DEPARTMENT OF THE INTERIOR
BUREAU OF LAND MANAGEMENT
**MAINTENANCE FEE PAYMENT FORM
FOR PLACER MINING CLAIMS**

AMC 428210
429423
439400
451757

Remitter Name: HAVASO Gold Seekers

Mailing Address: P.O. Box 3281

City, State, Zip: LAKE HAVASO City, AZ 86405

Check here if this is a change of address.

FEE# 2018040373

OFFICIAL RECORDS
OF MOHAVE COUNTY
KRISTI BLAIR,
COUNTY RECORDER



08/14/2018 02:45 PM Fee: \$10.00

FOR PAGE: 1 of 2

No. of claims _____

Total due BLM \$ _____

- The maintenance fee may be paid by cash, check, money order, Bureau of Land Management (BLM) Declining Deposit Account, or credit card (VISA, American Express, Discover, or MasterCard). Payments must be remitted to the BLM State Office where your claim or site is recorded and received on or before September 1. If the payment is mailed, the envelope must be postmarked by a bona fide delivery service on or before September 1 and received at the proper BLM State Office within 15 calendar days after the due date. Payments may also be made by telephone using a credit card. A complete listing of BLM State Offices with their addresses and phone numbers can be found at <http://www.blm.gov>.
- The maintenance fee for the following claim(s) applies to the assessment year 2019.

CLAIM NAME	BLM SERIAL NO.	ACRES IN CLAIM	PAYMENT DUE TO THE BLM (See Instructions on Page 2)
HGS 1A	429423	20	\$ 155
HGS 1B	439400	20	\$ 155
HGS 2A	439401	20	\$ 155
HGS 3A	428210	20	\$ 155
HGS 3B	429424	20	\$ 155
HGS 8A	429425	20	\$ 155
HGS 9A	439402	20	\$ 155
HGS 11A	429426	20	\$ 155
HGS 12A	428211	20	\$ 155
HGS 12B	429427	20	\$ 155

Use a separate sheet for additional claim names, serial numbers, and claimant names and addresses.

4239428

(Continued on page 2)

ENTERED
AUG 24 2018
BY: KM

UNITED STATES
DEPARTMENT OF THE INTERIOR
BUREAU OF LAND MANAGEMENT
**MAINTENANCE FEE PAYMENT FORM
FOR PLACER MINING CLAIMS**

Remitter Name: HAVASO Gold Seekers
 Mailing Address: P.O. Box 3281
 City, State, Zip: LAKE HAVASO City, AZ 86405
 Check here if this is a change of address.

FOR COUNTY RECORDER'S USE

No. of claims 20
 Total due BLM \$ 3100.00

- The maintenance fee may be paid by cash, check, money order, Bureau of Land Management (BLM) Declining Deposit Account, or credit card (VISA, American Express, Discover, or MasterCard). Payments must be remitted to the BLM State Office where your claim or site is recorded and received on or before September 1. If the payment is mailed, the envelope must be postmarked by a bona fide delivery service on or before September 1 and received at the proper BLM State Office within 15 calendar days after the due date. Payments may also be made by telephone using a credit card. A complete listing of BLM State Offices with their addresses and phone numbers can be found at <http://www.blm.gov>.
- The maintenance fee for the following claim(s) applies to the assessment year 2019.

CLAIM NAME	BLM SERIAL NO.	ACRES IN CLAIM	PAYMENT DUE TO THE BLM (See Instructions on Page 2)
HGS 13A	439403	20	\$ 155
HGS 14A	439404	20	\$ 155
HGS 16A	439405	20	\$ 155
HGS 17A	429428	20	\$ 155
HGS 17B	439406	20	\$ 155
HGS 18A	439407	20	\$ 155
HGS 19A	439408	20	\$ 155
HGS 20A	439409	20	\$ 155
HGS 21A	439410	20	\$ 155
MARY JO	451757	20	\$ 155

Use a separate sheet for additional claim names, serial numbers, and claimant names and addresses.


PRESS FIRMLY TO SEAL

PRESS FIRMLY TO SEAL

PRIORITY MAIL
POSTAGE REQUIRE

PRIORITY[®] ★ MAIL ★

Havasu Gold Seekers
P.O. Box 3281
Lake Havasu City, AZ 86405

 DATE OF DELIVERY SPECIFIED *

 USPS TRAC

 INSURANCE  *Retail*

 PICKUP AVAILABLE
* Domestic only

P

US POSTAGE PAID
\$6.70

Origin: 86403
Destination: 85004
0 Lb 1.80 Oz
Aug 14, 18

1024

WHEN USED INTERNATIONALLY
A CUSTOMS DECLARATION
LABEL MAY BE REQUIRED

0345700370-02

PRIORITY MAIL 2-Day[®]

EXPECTED DELIVERY DAY: 08/16/2018

C041

USPS TRACKING NUMBER



TO:

Bureau of Land Management
Arizona State Office
One North Central Ave., Suite
Phoenix, AZ 85004-4427



This envelope is made from post-consumer waste. Please recycle - again.

PHOENIX, ARIZONA

2018 AUG 16 P 2:39

UNITED STATES POSTAL SERVICE

UNITED STATES POSTAL SERVICE

United States Department of the Interior
Bureau of Land Management
 DIV OF LANDS, MINRLS & ENERGY
 ONE N CENTRAL AVE
 PHOENIX, AZ 85004 -4427
 Phone: 602-417-9200

Receipt

No: 4239428

Transaction #: 4354827	
Date of Transaction: 08/20/2018	
CUSTOMER:	
HAVASU GOLD SEEKERS INC PO BOX 3281 LAKE HAVASU CITY, AZ 86405-3281 US	

LINE #	QTY	DESCRIPTION	REMARKS	UNIT PRICE	TOTAL
1	1.00	LOCATABLE MINERALS / MINING CLAIMS- NOT NEW-UNADJUD, ONE AUTH NO. ONLY / MINING CLAIM MONEY RECEIVED CASES: AMC429423/\$3100.00	MAINT 2019/20	- n/a -	3100.00
TOTAL:					\$3,100.00

PAYMENT INFORMATION			
1	AMOUNT:	3100.00	POSTMARKED: N/A
	TYPE:	CHECK	RECEIVED: 08/16/2018
	CHECK NO:	3563	
	NAME:	HAVASU GOLD SEEKERS INC PO BOX 3281 LAKE HAVASU CITY AZ 86405-3281 US	

REMARKS

This receipt was generated by the automated BLM Collections and Billing System and is a paper representation of a portion of the official electronic record contained therein.

UNITED STATES
DEPARTMENT OF THE INTERIOR
BUREAU OF LAND MANAGEMENT
MAINTENANCE FEE PAYMENT FORM
FOR PLACER MINING CLAIMS

439400
429423
428210


FEE# 2017039765

OFFICIAL RECORDS
OF MOHAVE COUNTY
KRISTI BLAIR,
COUNTY RECORDER



08/21/2017 09:24 AM Fee: \$10.00
PAGE: 1 of 1

Remitter Name: HAVASU Gold Seekers
Mailing Address: P.O. Box 3281
City, State, Zip: LAKE HAVASU City, AZ 86405
 Check here if this is a change of address.

No. of claims 19
Total due BLM \$ 2945

- The maintenance fee may be paid by cash, check, money order, Bureau of Land Management (BLM) Declining Deposit Account, or credit card (VISA, American Express, Discover, or MasterCard). Payments must be remitted to the BLM State Office where your claim or site is recorded and received on or before September 1. If the payment is mailed, the envelope must be postmarked by a bona fide delivery service on or before September 1 and received at the proper BLM State Office within 15 calendar days after the due date. Payments may also be made by telephone using a credit card. A complete listing of BLM State Offices with their addresses and phone numbers can be found at <http://www.blm.gov>.
- The maintenance fee for the following claim(s) applies to the assessment year 2018.

CLAIM NAME	BLM SERIAL NO.	ACRES IN CLAIM	PAYMENT DUE TO THE BLM (See Instructions on Page 2)
HGS 13A	439403	20	\$ 155
HGS 14A	439404	20	\$ 155
HGS 16A	439405	20	\$ 155
HGS 17A	429428	20	\$ 155
HGS 17B	439406	20	\$ 155
HGS 18A	439407	20	\$ 155
HGS 19A	439408	20	\$ 155
HGS 20A	439409	20	\$ 155
HGS 21A	439410	20	\$ 155

Use a separate sheet for additional claim names, serial numbers, and claimant names and addresses.

Murphy
(Continued on page 2)

0955068

RECEIVED
BLM AZ STATE OFFICE
PHOENIX, ARIZONA
2017 AUG 23 A 8:02

AUG 29 2017
from

UNITED STATES
DEPARTMENT OF THE INTERIOR
BUREAU OF LAND MANAGEMENT
**MAINTENANCE FEE PAYMENT FORM
FOR PLACER MINING CLAIMS**


FEE# 2017039766

OFFICIAL RECORDS
OF MOHAVE COUNTY
KRISTI BLAIR,
COUNTY RECORDER



08/21/2017 09:24 AM Fee: \$10.00

PAGE: 1 of 1

Remitter Name: Havasui Gold Seekers

Mailing Address: P.O. Box 3281

City, State, Zip: LAKE HAVASUI CITY, AZ 86405

Check here if this is a change of address.

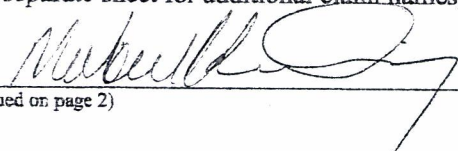
No. of claims _____

Total due BLM \$ _____

- The maintenance fee may be paid by cash, check, money order, Bureau of Land Management (BLM) Declining Deposit Account, or credit card (VISA, American Express, Discover, or MasterCard). Payments must be remitted to the BLM State Office where your claim or site is recorded and received on or before September 1. If the payment is mailed, the envelope must be postmarked by a bona fide delivery service on or before September 1 and received at the proper BLM State Office within 15 calendar days after the due date. Payments may also be made by telephone using a credit card. A complete listing of BLM State Offices with their addresses and phone numbers can be found at <http://www.blm.gov>.
- The maintenance fee for the following claim(s) applies to the assessment year 2018.

CLAIM NAME	BLM SERIAL NO.	ACRES IN CLAIM	PAYMENT DUE TO THE BLM (See Instructions on Page 2)
HGS 1A	429423 -	20	\$ 155
HGS 1B	439400]	20	\$ 155
HGS 2A	439401]	20	\$ 155
HGS 3A	428210 -	20	\$ 155
HGS 3B	429424]	20	\$ 155
HGS 8A	429425]	20	\$ 155
HGS 9A	439402 -	20	\$ 155
HGS 11A	429426 -	20	\$ 155
HGS 12A	428211 -	20	\$ 155
HGS 12B	429427 -	20	\$ 155

Use a separate sheet for additional claim names, serial numbers, and claimant names and addresses.



(Continued on page 2)

RECEIVED
BLM STATE OFFICE
2017 AUG 23 A 8:02
PHOENIX, ARIZONA

This envelope is made from post-consumer waste. Please recycle - again.

PRIORITY[®] ★ MAIL ★

 DATE OF DELIVERY SPECIFIED*

 USPS TRACKING™ INCLUDED*



Retail

P

US POSTAGE PAID
\$6.65

Origin: 88403
Destination: 85004
0 Lb 1.80 Oz
Aug 21, 17
0345700370-11

1024

PRIORITY MAIL[®] 2-Day

Expected Delivery Day: 08/23/2017

C041

USPS TRACKING NUMBER



9505 5106 0466 7233 1347 58

3

Lake Havasu City, AZ 86405

Havasu Gold Seekers
P.O. Box 3281
Lake Havasu City, AZ 86405

TO:

Bureau of Land Management
Arizona State Office
One North Central Ave., Suite 800
Phoenix, AZ 85004-4427

VISIT US AT USPS.COM[®]
ORDER FREE SUPPLIES ONLINE



This packaging is the property of the U.S. Postal Service[®] and is provided solely for use in sending Priority Mail[®] shipments. Misuse may be a violation of federal law. This packaging is not for resale. EPI4F © U.S. Postal Service; July 2013; All rights reserved.

United States Department of the Interior
Bureau of Land Management
 DIV OF LANDS, MINRLS & ENERGY
 ONE N CENTRAL AVE
 PHOENIX, AZ 85004 -4427
 Phone: 602-417-9200

Receipt

No: 3955068

Transaction #: 4064836	
Date of Transaction: 08/24/2017	
CUSTOMER:	
HAVASU GOLD SEEKERS INC PO BOX 3281 LAKE HAVASU CITY, AZ 86405-3281 US	

LINE #	QTY	DESCRIPTION	REMARKS	UNIT PRICE	TOTAL
1	1.00	LOCATABLE MINERALS / MINING CLAIMS- NOT NEW-UNADJUD, ONE AUTH NO. ONLY / MINING CLAIM MONEY RECEIVED CASES: AMC439403/\$2945.00	MAINT 2018/19	- n/a -	2945.00
TOTAL:					\$2,945.00

PAYMENT INFORMATION					
1	AMOUNT:	2945.00	POSTMARKED:	08/21/2017	
	TYPE:	CHECK	RECEIVED:	08/23/2017	
	CHECK NO:	3446			
	NAME:	HAVASU GOLD SEEKERS INC PO BOX 3281 LAKE HAVASU CITY AZ 86405-3281 US			

REMARKS

This receipt was generated by the automated BLM Collections and Billing System and is a paper representation of a portion of the official electronic record contained therein.

FEE# 2016036613

OFFICIAL RECORDS
OF MOHAVE COUNTY
ROBERT BALLARD,
COUNTY RECORDER



429423
428210

08/16/2016 08:11 AM Fee: \$10.00

PAGE: 1 of 1

MAINTENANCE FEE PAYMENT

Claimant Name: HAVASU GOLD Seekers
 Address: P.O. BOX 3281
 City: LAKE HAVASU State: AZ Zip: 86405
 Telephone: 928 854 2661
 E-mail address: nkieslyn@citlink.net
 Signature: [Handwritten Signature]

Check here if this is a change of address.

RECEIVED
BLM AZ STATE OFFICE
2016 AUG 17 P 2:28
PHOENIX, ARIZONA
BLM
Date
Stamp

LINE NO.	AMC NUMBER	CLAIM/SITE NAME	COUNTY RECORDER DATA (If available)	TWP	RNG	SEC
1	429423	HGS 1A		15N	18W	29
2	428210	HGS 3A		15N	18W	28
3	429424	HGS 3B		15N	18W	28
4	429425	HGS 8A		15N	18W	29
5	429426	HGS 11A		15N	18W	28
6	428211	HGS 12A		15N	18W	31
7	429427	HGS 12B		15N	18W	31
8	429428	HGS 17A		14N	18W	7
9						
10						

List additional claims on Form MCF114.

No. of Claims*: 8 x \$155 = \$1240.00
 Check No: 3337 Init. ABM
 Receipt No.: 3633808
 For BLM Use Only

Bureau of Land Management
Arizona State Office
www.blm.gov/az/

* \$155 per lode mining claim, mill site, or tunnel site; and \$155 for each 20 acres or portion thereof for each placer mining claim.

Form: MCF112
Revised July 2014

AUG 19 2016
RAM



1024



85004

U.S. POSTAGE
PAID
LAKE HAVASU CITY, AZ
86403
AUG 16, 16
AMOUNT
\$6.45
R2303S101953-05

Flat Rate Mailing Envelope

Visit us at usps.com

From:

Havasu Gold Seekers
P.O. Box 3281
Lake Havasu City, Az 86405

To:

Bureau of Land Management
Arizona State Office
One North Central Ave., Suite 800
Phoenix, AZ 85004-4427

RECEIVED
AMAZON STATE OFFICE
2016 AUG 17 P 2 28
PHOENIX, ARIZONA

Expected Delivery Day: 08/18/2016

USPS TRACKING NUMBER



9505 5106 0468 6229 0204 55

PS00001000012

**United States Department of the Interior
Bureau of Land Management**

DIV OF LANDS, MINRLS & ENERGY
ONE N CENTRAL AVE
PHOENIX, AZ 85004 -4427
Phone: 602-417-9200

Receipt

No: 3633808

Transaction #: 3737289	
Date of Transaction: 08/17/2016	
CUSTOMER:	
HAVASU GOLD SEEKERS INC PO BOX 3281 LAKE HAVASU CITY, AZ 86405-3281 US	

LINE #	QTY	DESCRIPTION	REMARKS	UNIT PRICE	TOTAL
1	1.00	LOCATABLE MINERALS / MINING CLAIMS- NOT NEW-UNADJUD.ONE AUTH NO. ONLY / MINING CLAIM MONEY RECEIVED CASES: AMC429423/\$1240.00	MAINT FEE 2017 - 8	- n/a -	1240.00
TOTAL:					\$1,240.00

PAYMENT INFORMATION					
1	AMOUNT:	1240.00	POSTMARKED:	08/16/2016	
	TYPE:	CHECK	RECEIVED:	08/17/2016	
	CHECK NO:	3337			
	NAME:	HAVASU GOLD SEEKERS INC PO BOX 3281 LAKE HAVASU CITY AZ 86405-3281 US			

REMARKS

This receipt was generated by the automated BLM Collections and Billing System and is a paper representation of a portion of the official electronic record contained therein.

UNITED STATES
DEPARTMENT OF THE INTERIOR
BUREAU OF LAND MANAGEMENT
MAINTENANCE FEE PAYMENT FORM
FOR PLACER MINING CLAIMS

428210
429423


FEE# 2015036620

OFFICIAL RECORDS
OF MOHAVE COUNTY
CAROL MEIER,
COUNTY RECORDER



08/17/2015 10:14 AM Fee: \$10.00

PAGE: 1 of 2

Remitter Name: HAVASU Gold Seekers
Mailing Address: P.O. Box 3281
City, State, Zip: LAKE HAVASU CITY, AZ 86405

Check here if this is a change of address.

No. of claims 8
Total due BLM \$ 1240

- The maintenance fee may be paid by cash, check, money order, Bureau of Land Management (BLM) Declining Deposit Account, or credit card (VISA, American Express, Discover, or MasterCard). Payments must be remitted to the BLM State Office where your claim or site is recorded and received on or before September 1. If the payment is mailed, the envelope must be postmarked by a bona fide delivery service on or before September 1 and received at the proper BLM State Office within 15 calendar days after the due date. Payments may also be made by telephone using a credit card. A complete listing of BLM State Offices with their addresses and phone numbers can be found at <http://www.blm.gov>.
- The maintenance fee for the following claim(s) applies to the assessment year 2016.

CLAIM NAME	BLM SERIAL NO.	ACRES IN CLAIM	PAYMENT DUE TO THE BLM (See Instructions on Page 2)
HGS 1A	Amc 429423	20	\$ 155
HGS 3A	Amc 428210	20	\$ 155
HGS 3B	Amc 429424	20	\$ 155
HGS 8A	Amc 429425	20	\$ 155
HGS 11A	Amc 429426	20	\$ 155
HGS 12A	Amc 428211	20	\$ 155
HGS 12B	Amc 429427	20	\$ 155
HGS 17A	Amc 429428	20	\$ 155

Use a separate sheet for additional claim names, serial numbers, and claimant names and addresses

(Continued on page 2)

ENTERED
AUG 26 2015
BY: IK

PHOENIX, ARIZONA
2015 AUG 20 2:52
BLM RECEIVED

RECEIPT # 3373354

INSTRUCTIONS

1. This is an optional form that may be used to satisfy the requirements for the Bureau of Land Management (BLM) under the provisions of 43 U.S.C. §1744 and 30 U.S.C. §28f and the regulations thereunder (43 CFR part 3834). Since local and State laws may vary, you should contact your local and State agencies where the claims are located to ensure all applicable laws and requirements are satisfied.
2. This form should be used to pay the maintenance fee for placer mining claims only. To pay the maintenance fee for lode mining claims, mill sites or tunnel sites, use Form 3830-5.
3. Complete the section for the number of claims and the amount being remitted to the BLM.
4. Enter the year in paragraph 2 for the applicable assessment year.
5. List all mining claim names and the BLM serial number associated to the claim if the BLM has notified you what the serial number is. Every attempt should be made to include the current BLM serial number for each claim listed. List the acreage for each claim and the amount due based on the acreage. See the chart below for amounts due.
6. The maintenance fee for placer mining claims is paid for every 20 acres of the claim or portion thereof. When making a maintenance fee payment for your placer claim, you should make your payment in accordance with the following chart:

Number of acres in the claim	Maintenance Fee Payment Due Per Claim
≤ 20 acres	\$155
> 20 acres but ≤ 40 acres	\$310
> 40 acres but ≤ 60 acres	\$465
> 60 acres but ≤ 80 acres	\$620
> 80 acres but ≤ 100 acres	\$775
> 100 acres but ≤ 120 acres	\$930
> 120 acres but ≤ 140 acres	\$1,085
> 140 acres but ≤ 160 acres	\$1,240
> 160 acres	Contact the BLM

BLM RECEIVED
 OFFICE
 2015 AUG 20 P 2:52
 PHOENIX, ARIZONA

Legend: > means greater than; < means less than; = means equal to

7. The name and current mailing addresses of the person paying the maintenance fee(s) should be listed at the top of the form. If this is a change of address for a claimant, that should also be noted.
8. If needed, an additional sheet can be used to continue listing claim names, BLM serial numbers, acres in claim, payment due or the name and current mailing address of additional claimants.
9. If paying by credit card, you must complete the following credit card information on page 4: (a) exact name on the face of the credit card; (b) amount paid; (c) type of card; (d) credit card number; (e) expiration date of the card; and (f) telephone number. You must also sign page 4 to show authorization to charge the credit card.

NOTICES

THE PRIVACY ACT and 43 CFR 2.48(d) require that you be furnished with the following information in connection with the information requested by this form.

AUTHORITY: 30 U.S.C. 28f and 43 CFR part 3834 permit collection of the information requested by this form.

PRINCIPAL PURPOSE: The BLM will use the information you provide to record the annual maintenance fee payment for the claims listed and to verify that payment has been made in accordance with 30 U.S.C. 28f and 43 CFR part 3834.

ROUTINE USES: The BLM will only disclose this information in accordance with the provisions at 43 CFR 2.56(b) and (c).

EFFECT OF NOT PROVIDING INFORMATION: Disclosure of the requested information is required by 30 U.S.C. 28f and 43 CFR part 3834 for claimants paying the annual maintenance fee. The use of this specific form when paying the maintenance fee is optional. However, when paying the maintenance fee, it is the requested information on this form that is required to be submitted along with the fee. Failure to submit all the required information will delay the BLM's processing of the information and may preclude the BLM's acceptance of the maintenance fee payment, which may result in forfeiture of the mining claim(s) by the claimant.

PRESS FIRMLY TO SEAL

PRESS FIRMLY TO SEAL

PRIORITY MAIL
POSTAGE REQUIRED

PRIORITY[®] ★ MAIL ★

 DATE OF DELIVERY SPECIFIED*

 USPS TRACKING™ INCLUDED*

 INSURANCE INCLUDED*

 PICKUP AVAILABLE

* Domestic only

FROM:

Havasu Gold Seekers
P.O. Box 3281
Lake Havasu City, Az 86405

TO:

Bureau of Land Management
Arizona State Office
One North Central Ave., Suite800
Phoenix, AZ 85004-4427



Retail

P

US POSTAGE PAID
\$5.75

Origin: 86403
0 Lb 1.50 Oz
08/18/2015
0345700370-05

1024

PRIORITY MAIL[®] 2-Day

Expected Delivery Day: 08/20/2015

USPS TRACKING NUMBER



9505 5106 0468 5230 0110 63

EP14
OD:

COM[®]
LINE



This packaging is the property of the U.S. Postal Service[®] and is provided solely for use in sending Priority Mail[®] shipments. Misuse may be a violation of federal law. This packaging is not for resale. EP14F © U.S. Postal Service, July 2013; All rights reserved.

RECEIVED
BLM / BUREAU OF LAND MANAGEMENT
2015 AUG 20 10 52
PHOENIX, ARIZONA



PS00001000014

WHEN USED INTERNATIONALLY,
A CUSTOMS DECLARATION
LABEL MAY BE REQUIRED.

148818 - 01/14/14 - 01/14/14 - 01/14/14

United States Department of the Interior
Bureau of Land Management
 LANDS/RECREATION & PLANNING
 ONE N CENTRAL AVE
 PHOENIX, AZ 85004 -2203
 Phone: 602-417-9200

Receipt

No: 3373354

Transaction #: 3471555	
Date of Transaction: 08/21/2015	
CUSTOMER:	
HAVASU GOLD SEEKERS INC PO BOX 3281 LAKE HAVASU CITY, AZ 86405-3281 US	

LINE #	QTY	DESCRIPTION	REMARKS	UNIT PRICE	TOTAL
1	1.00	LOCATABLE MINERALS / MINING CLAIMS- NOT NEW-UNADJUD, ONE AUTH NO. ONLY / MINING CLAIM MONEY RECEIVED CASES: AMC429423/\$1240.00	MAINT FEE PYMNT (8) 2016	- n/a -	1240.00
TOTAL:					\$1,240.00

PAYMENT INFORMATION			
1	AMOUNT:	1240.00	POSTMARKED: 08/18/2015
	TYPE:	CHECK	RECEIVED: 08/20/2015
	CHECK NO:	3245	
	NAME:	HAVASU GOLD SEEKERS INC PO BOX 3281 LAKE HAVASU CITY AZ 86405-3281 US	

REMARKS

This receipt was generated by the automated BLM Collections and Billing System and is a paper representation of a portion of the official electronic record contained therein.

ENTERED
 AUG 26 2015
 BY: IR

NOTICE!!

These documents have been scanned!

Do not place un-scanned documents beneath this notice!

Do not remove this notice from this file!

GPO Jacket No. 560-102
Print Order 61540
Rise Business Services, LLC
Job=AZ15 5/10/2019



Box Number= AZ15032



Claim Begin-End: AMC429423-AMC429428

5 Miscellaneous



AZ15032-23

AMC428906-AMC429539

**NO
DOCUMENTS
FOUND**

NO DOCUMENTS FOUND
NO DOCUMENTS FOUND

NOTICE!!

These documents have been scanned!

Do not place un-scanned documents beneath this notice!

Do not remove this notice from this file!

GPO Jacket No. 560-102
Print Order 61540
Rise Business Services, LLC
Job=AZ15 5/10/2019



Box Number= AZ15032



Claim Begin-End: AMC429423-AMC429428

6 Location Notices-Amendments and Supporting Documents



AZ15032-23

AMC428906-AMC429539

MINING CLAIM STATUS REPORT

Data Entered: 09/30/14 RAM

MTP Checked By: 09/30/14 RAM
GEO Checked By: 09/30/14 RAM

LEAD SERIAL NUMBER: AMC 429423 thru AMC 429428

NUMBER OF CLAIMS & TYPE:

CHARGES:

6 LODGE

TUNNEL SITE

Location Fee @ \$37 = \$ 222.00
Processing Fee @ \$20 = \$ 120.00
Maintenance Fee @ \$155 = \$ 930.00
Add'l Maint Fee for Assoc Placer = \$ _____
SUBTOTAL \$ 1272.00

TOTAL ACREAGE: 20 Per Claim
(Placer Only)

Other Fees \$ _____
Other Fees \$ _____

NUMBER OF LOCATORS: 1

TOTAL \$ 1272.00

DOCUMENTS RECEIVED VIA: Over-the-Counter [] Mail [] **TIMELY FILED:** Yes [] No []

LEGAL DESCRIPTION:
T 14N R 18W SEC 7
T 15N R 18W SEC 28, 29, 31
T _____ R _____ SEC _____
T _____ R _____ SEC _____
T _____ R _____ SEC _____

BLM [] FOREST SERVICE [] _____ SUBJ TO PL 359: Yes [] No []
WILDERNESS AREA [] _____

SPLIT ESTATE: N/A [] SX [] PX [] OTHER [] _____
SRHA [] Was proper Notice filed if located on SHRA Land? Yes [] No []

RECONVEYED MINERALS ON BLM LAND REQUIRE OPENING ORDER FROM 1944 TO 1993:

Open to Entry On _____ N/A []

COMMENTS/STATUS: VOID [] PARTIALLY VOID [] PVT MINERALS [] WITHDRAWN LANDS []
OTHER [] _____

[] Claimant acknowledges that portions of the following claim(s) site(s) may be void or voidable.

Printed Name of Claimant _____ Signature of Claimant _____

*****FINAL ADJUDICATION*****

DATE 4-14-2015 INITIALS pm

AMC429423

2

FEE# 2014038075

OFFICIAL RECORDS OF MOHAVE COUNTY CAROL MEIER, COUNTY RECORDER



09/02/2014 08:18 AM Fee: \$10.00

PAGE: 1 of 2

LOCATION NOTICE FOR PLACER MINING CLAIM

NOTICE IS HEREBY GIVEN that the HGS LA

_____ placer mining claim has been located by

HAVASU COCO SEEKERS whose current mailing

address is P.O. Box 3281

LAKE HAVASU CITY, AZ 86405

RECEIVED	2014 SEP 19 P 2:30	PHOENIX, ARIZONA
BLM	Date	Stamp

Ret

The general course of this claim is North to South and it is situated in Mohave County, Arizona.

This claim is 1320 feet in length and 660 feet in width. This claim runs from the location monument on which this location notice is posted approximately 0 feet in a _____ direction to the North end line and 1320 feet in a South direction to the South end line.

This claim is marked by four monuments, one at each corner of the claim.

The location monument on which this notice is posted is situated within Section 29, Township 15 N, Range 18 W, Gila Salt River Base and Meridian, Arizona. This claim encompasses portions of the following legal subdivision(s) if located by legal subdivision or the following quarter section (s), section (s), Township (s) and Range (s) W 1/2, NE 1/4, SE 1/4, SEC 29
T15N R18W, Gila Salt River Base and Meridian, Arizona.

The locality of this claim with reference to some natural object or permanent monument and additional information (if any) concerning its locality are as follows: The NE Corner of the Claim is 660 feet west from a 1915 Brass Cap Survey marker

DATED AND POSTED on the ground this 01 day of Sept, 2014.

LOCATOR (s) Havasuu Coco Seekers

SUBJECT RESOURCES (Township)

Yuma County

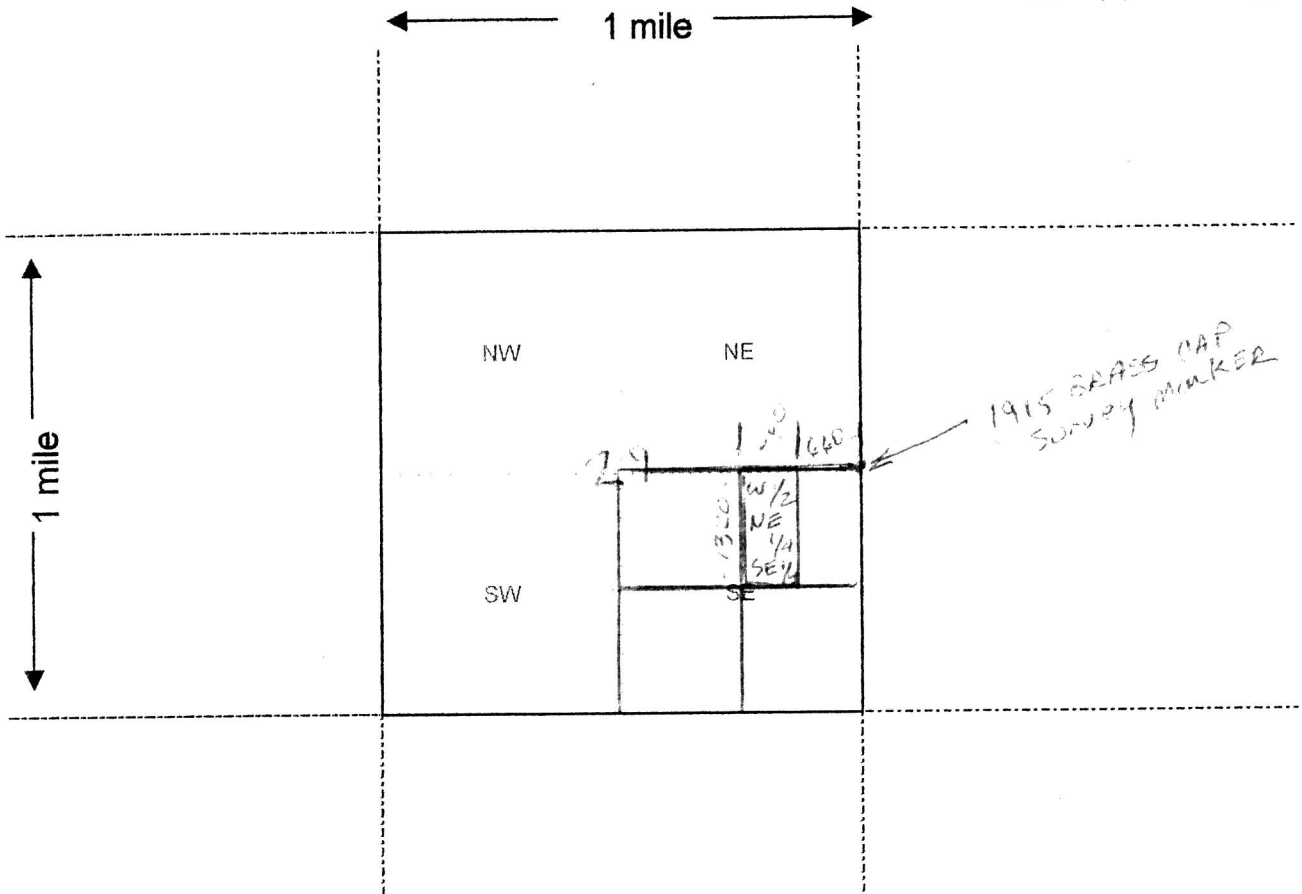
Form MCF102 Revised July 2005

This form is available from the Arizona Department of Mines & Mineral Resources and may be reproduced.

AMC429423

MINING CLAIM MAP

Lode () Placer (X)



AMCH29423

Scale : 1" = 2000 feet

- The above map depicts the HBSIA mining claim, which is located in Section (s) 29, Township 15 N, Range 18 W, Gila and Salt River Base and Meridian, Mohave County, Arizona.
- The type of corner and location monuments used are as follows: 4x4 Posts
RED Tip white Bottom
- The bearings and distances in degrees and feet between claim corners are as depicted on the map.

Form MCF100a
Revised July 2005

2

FEE# 2014038072

OFFICIAL RECORDS OF MOHAVE COUNTY CAROL MEIER, COUNTY RECORDER



09/02/2014 08:18 AM Fee: \$10.00

PAGE: 1 of 2

LOCATION NOTICE FOR PLACER MINING CLAIM

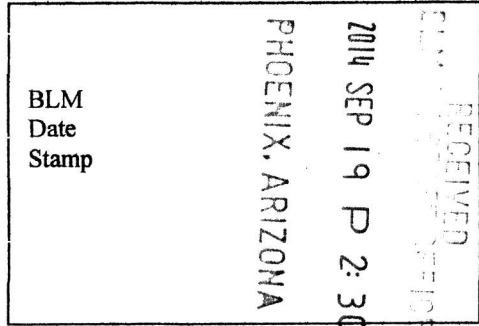
NOTICE IS HEREBY GIVEN that the HGS 3B

_____ placer mining claim has been located by

HAVASU Gold Seekers whose current mailing

address is ~~PO Box 3281~~

LAKE HAVASU City, AZ 86405



Ret

The general course of this claim is NORTH to South and it is situated in

Mohave County, Arizona.

This claim is 1320 feet in length and 660 feet in width. This claim runs from the

location monument on which this location notice is posted approximately 0 feet in a _____

direction to the South end line and 1320 feet in a North direction to the NORTH end line.

This claim is marked by four monuments, one at each corner of the claim.

The location monument on which this notice is posted is situated within Section 28, Township

15 N, Range 18 W, Gila Salt River Base and Meridian, Arizona. This claim encompasses

portions of the following legal subdivision(s) if located by legal subdivision or the following quarter section (s),

section (s), Township (s) and Range (s) E 1/4, SW 1/4 NW 1/4 and W 1/4, SE 1/4 NW 1/4

Sec 28, T15N, R18W, Gila Salt River Base and Meridian, Arizona.

The locality of this claim with reference to some natural object or permanent monument and additional information (if any) concerning its locality are as follows: The S.W. Corner of The

claim is 490 ft East of a Brass Cap Survey

Marker from 1915

DATED AND POSTED on the ground this 01 day of Sept, 20 14.

LOCATOR (s) HAVASU Gold Seekers

NORBERT RIESLING (Treasurer)

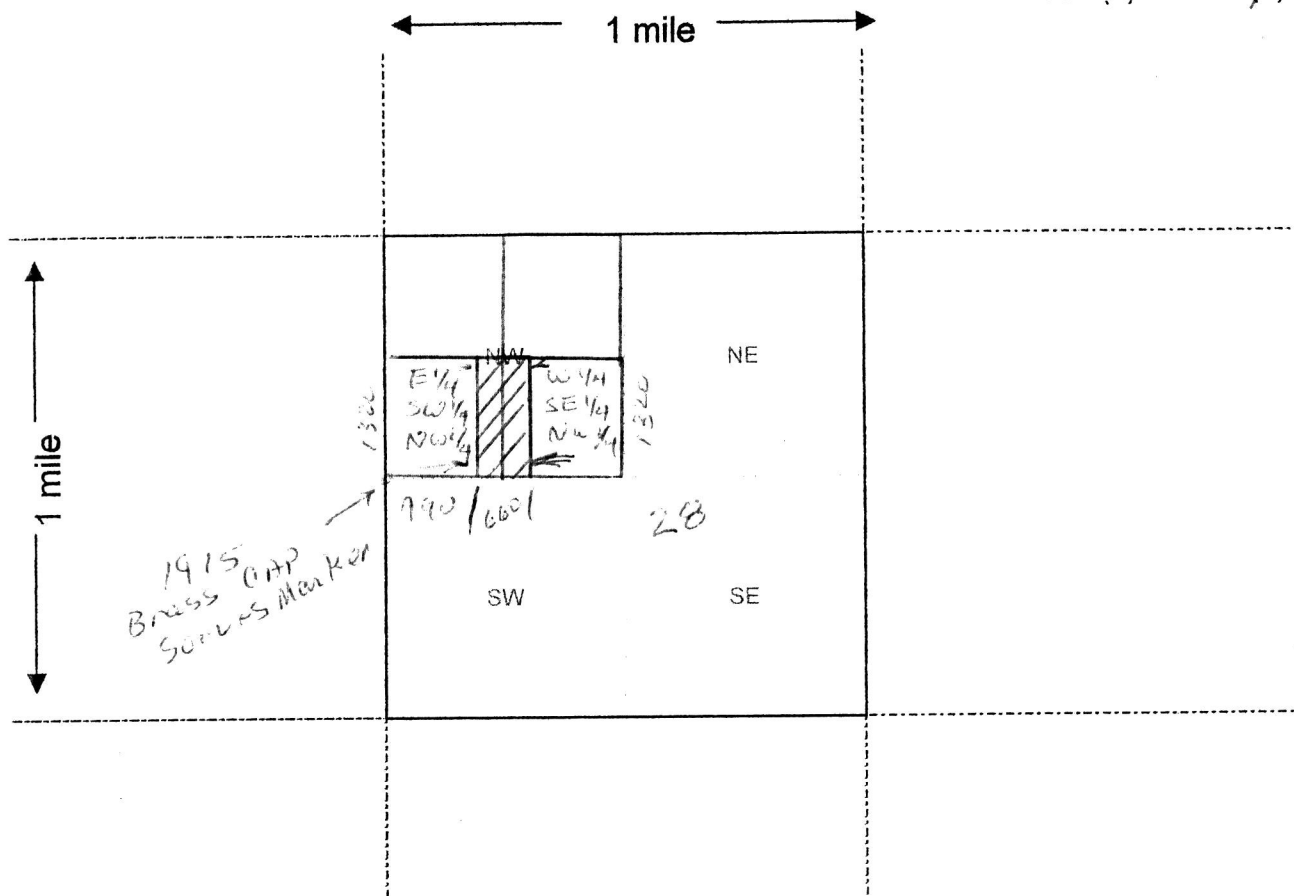
This form is available from the Arizona Department of Mines & Mineral Resources and may be reproduced.

Form MCF102 Revised July 2005

AMC 429424

MINING CLAIM MAP

Lode () Placer (X)



AMCH29424

Scale : 1" = 2000 feet



- The above map depicts the AGS 3B mining claim, which is located in Section (s) 28, Township 15 N, Range 18 W, Gila and Salt River Base and Meridian, Mohave County, Arizona.
- The type of corner and location monuments used are as follows: 4x4 Posts
RED TOP white Bottom
- The bearings and distances in degrees and feet between claim corners are as depicted on the map.

Form MCF100a
Revised July 2005

This form is available from the Arizona Department of Mines & Mineral Resources and may be reproduced.

2

FEE# 2014038071

OFFICIAL RECORDS OF MOHAVE COUNTY CAROL MEIER, COUNTY RECORDER



09/02/2014 08:18 AM Fee: \$10.00

PAGE: 1 of 2

LOCATION NOTICE FOR PLACER MINING CLAIM

NOTICE IS HEREBY GIVEN that the 435 BA

placer mining claim has been located by

HAVASO Gold Seekers whose current mailing

address is P.O. Box 3281

LAKE HAVASO City, AZ 86405.

BLM Date Stamp PHOENIX, ARIZONA 2014 SEP 19 P 2:30

Ret

The general course of this claim is North to South and it is situated in

Mohave County, Arizona.

This claim is 1320 feet in length and 660 feet in width. This claim runs from the location monument on which this location notice is posted approximately 0 feet in a direction to the South end line and 1320 feet in a NORTH direction to the NORTH end line.

This claim is marked by four monuments, one at each corner of the claim.

The location monument on which this notice is posted is situated within Section 29, Township 15 N, Range 18 W, Gila Salt River Base and Meridian, Arizona. This claim encompasses portions of the following legal subdivision(s) if located by legal subdivision or the following quarter section (s), section (s), Township (s) and Range (s) W 1/2, NW 1/4, NW 1/4, Sec 29, T 15 N, R 18 W, Gila Salt River Base and Meridian, Arizona.

The locality of this claim with reference to some natural object or permanent monument and additional information (if any) concerning its locality are as follows: The S.W Corner of the claim is 1320 Ft North of A 1915 Brass Cap Survey Marker

DATED AND POSTED on the ground this 01 day of Sept, 20 14.

LOCATOR (s) HAVASO Gold Seekers

NORBERT KIESLING (Treasurer)

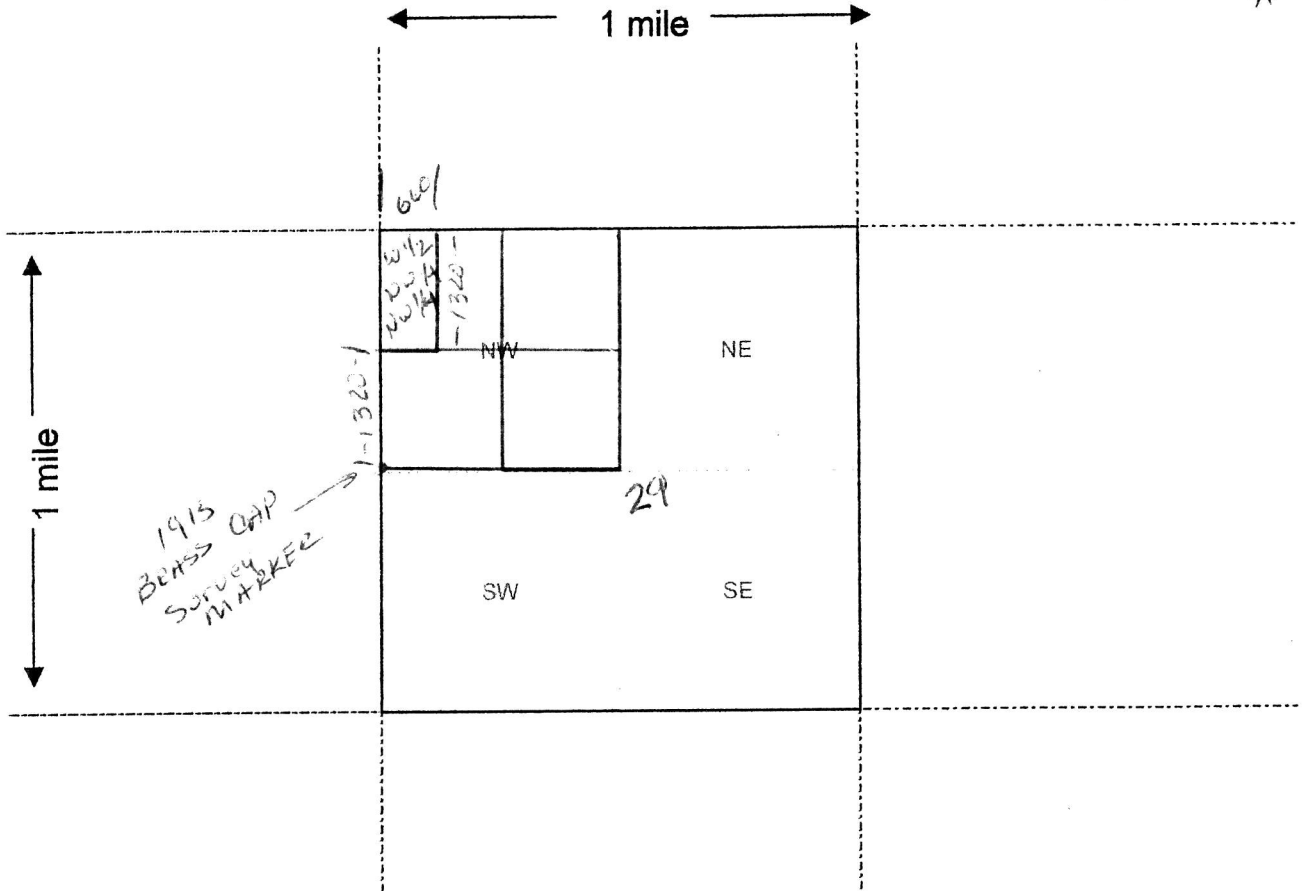
[Signature]

Form MCF102 Revised July 2005

AMC429425

MINING CLAIM MAP

Lode () Placer (X)



AMC 429425

Scale : 1" = 2000 feet



1. The above map depicts the HGS 8A mining claim, which is located in Section (s) 29, Township 15 N, Range 18 W, Gila and Salt River Base and Meridian, Mohave County, Arizona.
2. The type of corner and location monuments used are as follows: 4x4 Posts
Red Top, White Bottoms
3. The bearings and distances in degrees and feet between claim corners are as depicted on the map.

Form MCF100a
Revised July 2005

2

FEE# 2014038069

OFFICIAL RECORDS OF MOHAVE COUNTY CAROL MEIER, COUNTY RECORDER



09/02/2014 08:18 AM Fee: \$10.00

PAGE: 1 of 2

LOCATION NOTICE FOR PLACER MINING CLAIM

NOTICE IS HEREBY GIVEN that the 465 11A

_____ placer mining claim has been located by

Havasuo Gold Seekers whose current mailing

address is P.O. Box 3281

LAKE HAVASU CITY, AZ 86405

RECEIVED
 2014 SEP 19 P 2:30
 PHOENIX, ARIZONA
 BLM
 Date
 Stamp

Ret

The general course of this claim is East to West and it is situated in

Mohave County, Arizona.

This claim is 1320 feet in length and 600 feet in width. This claim runs from the location monument on which this location notice is posted approximately 0 feet in a _____ direction to the West end line and 1320 feet in a East direction to the East end line.

This claim is marked by four monuments, one at each corner of the claim.

The location monument on which this notice is posted is situated within Section 28, Township 15 N, Range R18 W, Gila Salt River Base and Meridian, Arizona. This claim encompasses portions of the following legal subdivision(s) if located by legal subdivision or the following quarter section (s), section (s), Township (s) and Range (s) N 1/2, NE 1/4, SW 1/4, Sec 28, T15N, R18W, Gila Salt River Base and Meridian, Arizona.

The locality of this claim with reference to some natural object or permanent monument and additional information (if any) concerning its locality are as follows: The NW corner of the

Claim is 1320 feet East of a 1915 Brass CAP

Survey Marker

DATED AND POSTED on the ground this 01 day of Sept, 2014.

LOCATOR (s) HAVASU Gold Seekers

NORBERT KIESLING (Treasurer)

[Signature]

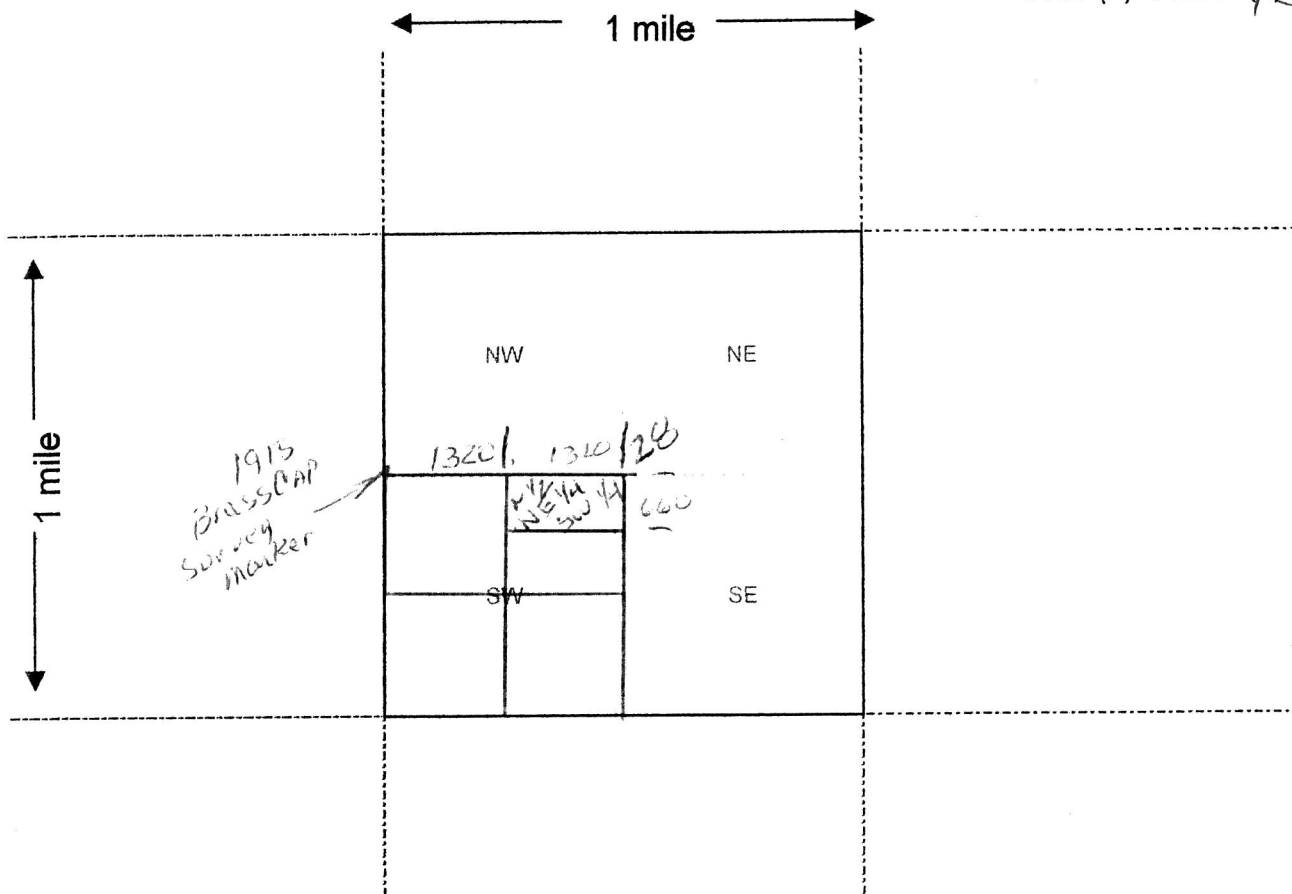
Form MCF102 Revised July 2005

This form is available from the Arizona Department of Mines & Mineral Resources and may be reproduced.

AMC429426

MINING CLAIM MAP

Lode () Placer (X)



AMC429426

Scale : 1" = 2000 feet



1. The above map depicts the HGS 11A mining claim, which is located in Section (s) 28, Township 15 N, Range 18 W, Gila and Salt River Base and Meridian, Mohave County, Arizona.
2. The type of corner and location monuments used are as follows: 4x4 Posts
Red Top, White Bottom
3. The bearings and distances in degrees and feet between claim corners are as depicted on the map.

Form MCF100a
Revised July 2005

2

FEE # 2014038068

OFFICIAL RECORDS OF MOHAVE COUNTY CAROL MEIER, COUNTY RECORDER



09/02/2014 08:18 AM Fee: \$10.00

PAGE: 1 of 2

LOCATION NOTICE FOR PLACER MINING CLAIM

NOTICE IS HEREBY GIVEN that the HGS 12B placer mining claim has been located by HAVASO GOLD SEEKERS whose current mailing address is P.O. BOX 3281 LAKE HAVASO CITY, AZ 86405

BLM Date Stamp
2014 SEP 19 P 2:30
PHOENIX, ARIZONA
CLAIM RECEIVED

Ret

The general course of this claim is NORTH to SOUTH and it is situated in Mohave County, Arizona.

This claim is 1320 feet in length and 6.60 feet in width. This claim runs from the location monument on which this location notice is posted approximately 0 feet in a _____ direction to the NORTH end line and 1320 feet in a South direction to the South end line. This claim is marked by four monuments, one at each corner of the claim.

The location monument on which this notice is posted is situated within Section 31, Township 15 N, Range 18 W, Gila Salt River Base and Meridian, Arizona. This claim encompasses portions of the following legal subdivision(s) if located by legal subdivision or the following quarter section (s), section (s), Township (s) and Range (s) E 1/2, SW 1/4, NE 1/4, Sec 31, T15N, R18W, Gila Salt River Base and Meridian, Arizona.

The locality of this claim with reference to some natural object or permanent monument and additional information (if any) concerning its locality are as follows: The NORTH East Corner of the Claim is 1867 ft South East of a 1915 BIRDS CAP Survey Marker

DATED AND POSTED on the ground this 01 day of Sept, 2014.

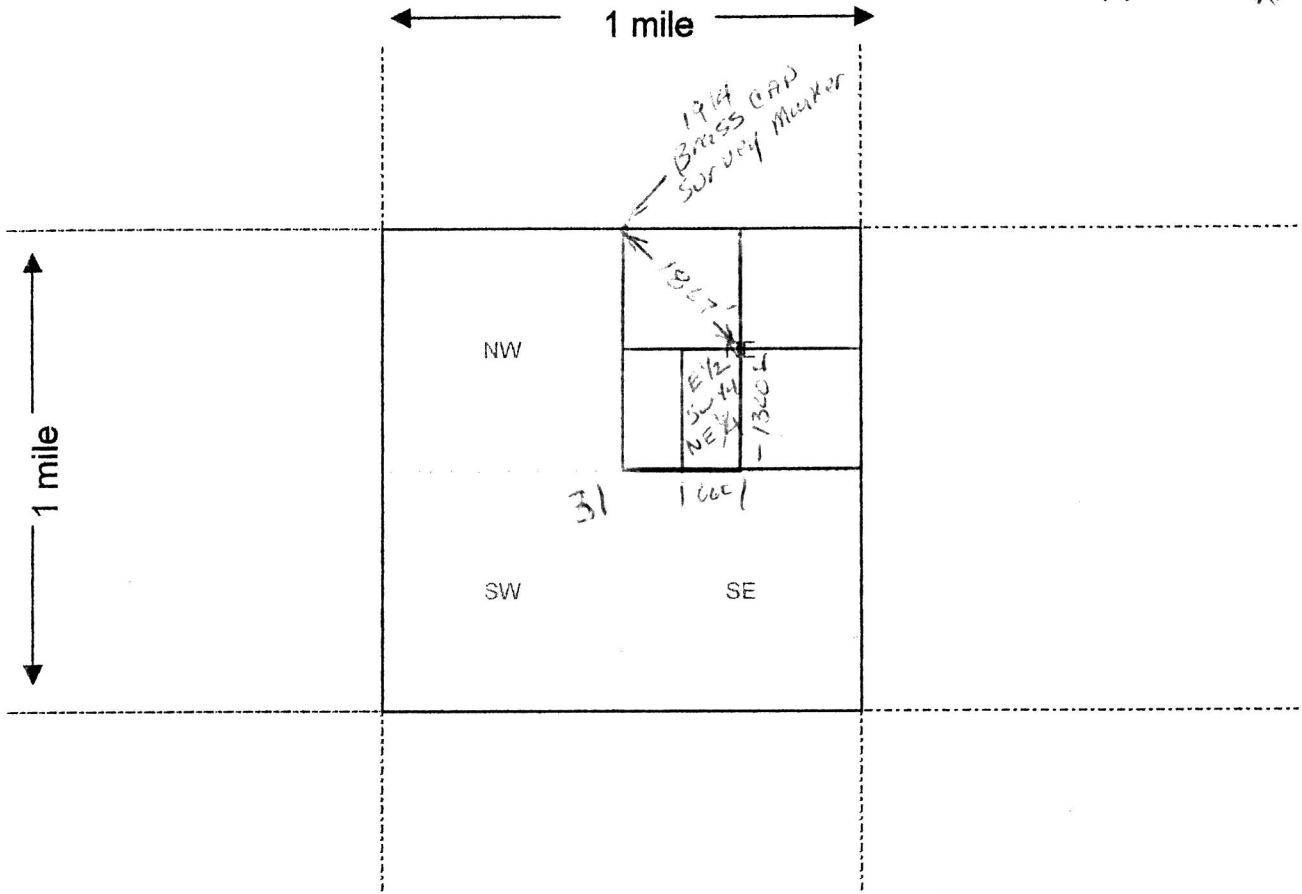
LOCATOR (s) HAVASO GOLD SEEKERS
ROBERT KIESLING (Treasurer)

Form MCF102 Revised July 2005

AMC429427

MINING CLAIM MAP

Lode () Placer (X)



Scale : 1" = 2000 feet



1. The above map depicts the HGS 12B mining claim, which is located in Section (s) 31, Township 15 N, Range 18 W, Gila and Salt River Base and Meridian, Mohave County, Arizona.
2. The type of corner and location monuments used are as follows: 4x4 Posts
Red Top White Bottom
3. The bearings and distances in degrees and feet between claim corners are as depicted on the map.

Form MCF100a
Revised July 2005

This form is available from the Arizona Department of Mines & Mineral Resources and may be reproduced.

AMC4294271

2



FEE# 2014038081

OFFICIAL RECORDS OF MOHAVE COUNTY CAROL MEIER, COUNTY RECORDER



09/02/2014 08:18 AM Fee: \$10.00

PAGE: 1 of 2

LOCATION NOTICE FOR PLACER MINING CLAIM

NOTICE IS HEREBY GIVEN that the 46517A

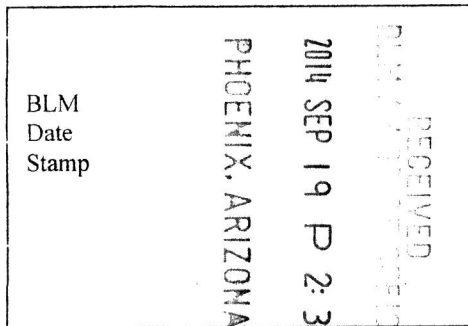
_____ placer mining claim has been located by

HAVASU Gold Seekers whose current mailing

address is P.O. Box 3281

LAKE HAVASU City, AZ 86405

Ret



The general course of this claim is NORTH to South and it is situated in

Mohave County, Arizona.

This claim is 1320 feet in length and 660 feet in width. This claim runs from the location monument on which this location notice is posted approximately 0 feet in a _____ direction to the South end line and 1320 feet in a NORTH direction to the NORTH end line.

This claim is marked by four monuments, one at each corner of the claim.

The location monument on which this notice is posted is situated within Section 7, Township 14 N, Range 18 W, Gila Salt River Base and Meridian, Arizona. This claim encompasses portions of the following legal subdivision(s) if located by legal subdivision or the following quarter section (s), section (s), Township (s) and Range (s) W 1/2, SE 1/4, NW 1/4, Sec 7, T14N, R18W, Gila Salt River Base and Meridian, Arizona.

The locality of this claim with reference to some natural object or permanent monument and additional information (if any) concerning its locality are as follows: S.W. Corner of the Claim is 2952' North-East of a 3' Rock Cairn marking The Southwest corner of Sec 7, T14N, R18W

DATED AND POSTED on the ground this 01 day of Sept, 2014.

LOCATOR (s) HAVASU Gold Seekers

Norbert KIESLING (Treasurer)

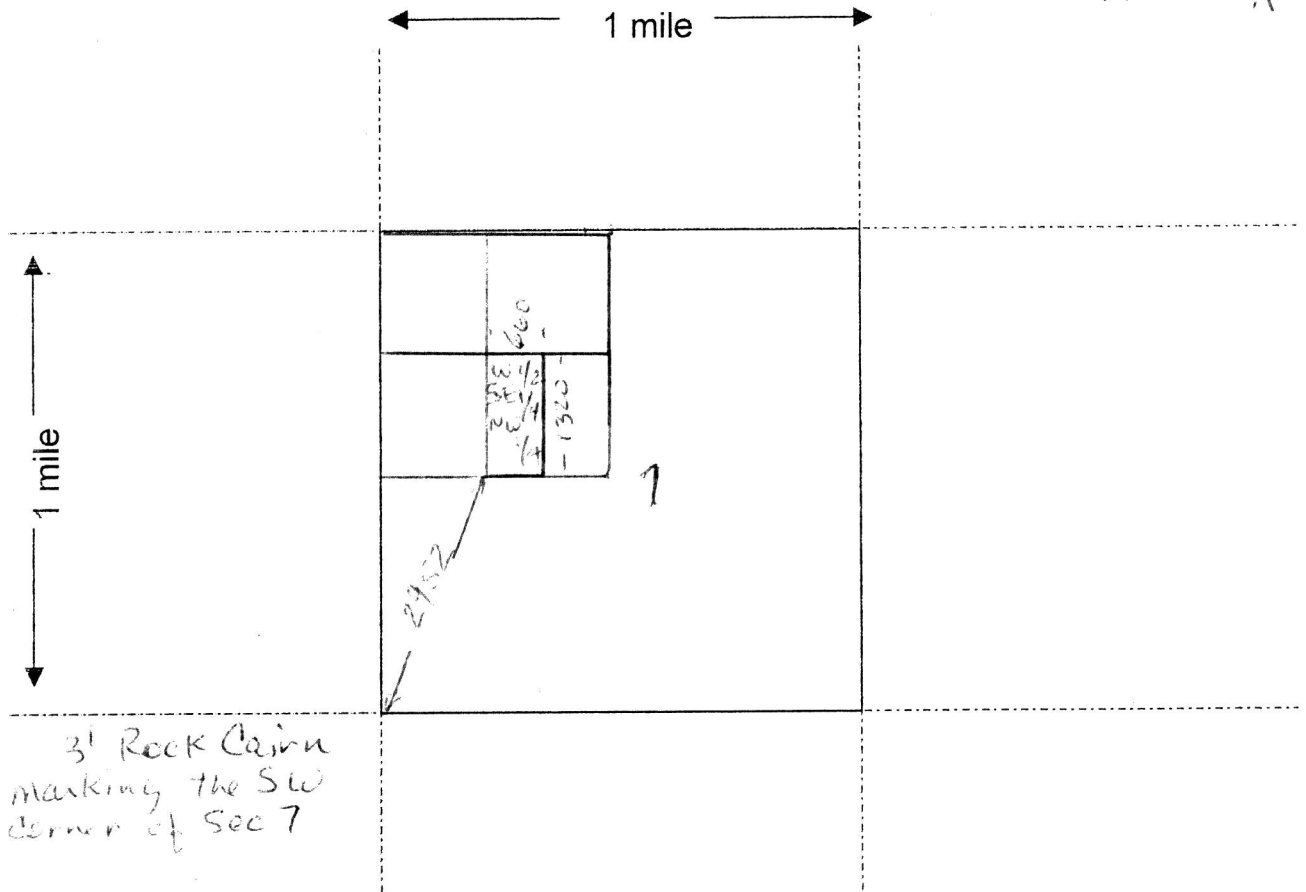
Form MCF102 Revised July 2005

This form is available from the Arizona Department of Mines & Mineral Resources and may be reproduced.

AMC4294281

MINING CLAIM MAP

Lode () Placer (X)



AMC 429428

Scale : 1" = 2000 feet



- The above map depicts the 485 17 A mining claim, which is located in Section (s) 7, Township 14 N, Range 18 W, Gila and Salt River Base and Meridian, Mohave County, Arizona.
- The type of corner and location monuments used are as follows: 4x4 Posts
Red Top white Bottom
- The bearings and distances in degrees and feet between claim corners are as depicted on the map.

Form MCF100a
Revised July 2005

Input Parameters for Geographic Report with Land

System Id = CR

Admin State = AZ

Geo State =

Casetype Begins With

Case Disp Txt = AUTHORIZED, CANCELLED, EXPIRED, PENDING, REJECTED, RELINQUISHED, WITHDRAWN

Mer Twp Rng =

Section =

Mtrs = 14 0140N 0180W 007, 14 0140N 0180W 999, 14 0150N 0180W 028, 14 0150N 0180W 029, 14 0150N 0180W 031, 14 0150N 0180W 999

Commodity =

Commodity Txt =

Pending Org =

Pend Org Decode =

Total Rows Returned: 5

RUN TIME: 12:11 PM

UNITED STATES DEPARTMENT OF INTERIOR
BUREAU OF LAND MANAGEMENT
GEOGRAPHIC REPORT WITH LAND
Sorted by Serial Number

RUN DATE: 09/30/2014
Page 1 of 1

Adm State: AZ

Serial Number: AZA 022677PT
Total Case Acres: 5,078.930

<u>Casetype</u>	<u>Case Disp</u>	14	0150N	0180W	<u>Sect</u>	<u>Sur Typ</u>	<u>Sur Num</u>	<u>Suff</u>	<u>Subdivision</u>	<u>Act Pend</u>
220100	AUTHORIZED				031	LOTS			1;	

Serial Number: AZA 023217AP
Total Case Acres: 135,762.680

<u>Casetype</u>	<u>Case Disp</u>	14	0150N	0180W	<u>Sect</u>	<u>Sur Typ</u>	<u>Sur Num</u>	<u>Suff</u>	<u>Subdivision</u>	<u>Act Pend</u>
220100	AUTHORIZED				029	ALIQ			ALL;	
					031	ALIQ			E2,E2NW;	
						LOTS			1,2;	

Serial Number: AZA 032888
Total Case Acres: 3.600

<u>Casetype</u>	<u>Case Disp</u>	14	0150N	0180W	<u>Sect</u>	<u>Sur Typ</u>	<u>Sur Num</u>	<u>Suff</u>	<u>Subdivision</u>	<u>Act Pend</u>
380913	AUTHORIZED				031	ALIQ			NE;	

PRESS FIRMLY TO SEAL

PRESS FIRMLY TO SEAL

PRIORITY[®] ★ MAIL ★



DATE OF DELIVERY SPECIFIED*



USPS TRACKING™ INCLUDED*



INSURANCE INCLUDED*



PICKUP AVAILABLE

* Domestic only

RECEIVED
CLM AZ STATE OFFICE
2014 SEP 14 P 2:30
PHOENIX ARIZONA

Expected Delivery Day: 09/20/14

USPS TRACKING NUMBER



9505 5110 5191 4261 5404 11



PS00001000014

EP14F July 2013
OD: 12.5 x 9.5

VISIT US AT USPS.COM[®]
ORDER FREE SUPPLIES ONLINE



1024



85004

U.S. POSTAGE
PAID
LAKE HAVASU CIT, AZ
86403
SEP 18, 14
AMOUNT
\$5.75
00105101-03

FROM:

Havasu Gold Seekers
P.O. Box 3281
Lake Havasu City, AZ 86405

TO:

Bureau of Land Management
Arizona State Office
One North Central Ave., Suite800
Phoenix, AZ 85004-4427

This packaging is the property of the U.S. Postal Service® and is provided solely for use in sending Priority Mail® shipments. Misuse may be a violation of federal law. This packaging is not for resale. EP14F © U.S. Postal Service; July 2013; All rights reserved.

This envelope is made from post-consumer waste. Please recycle - again.